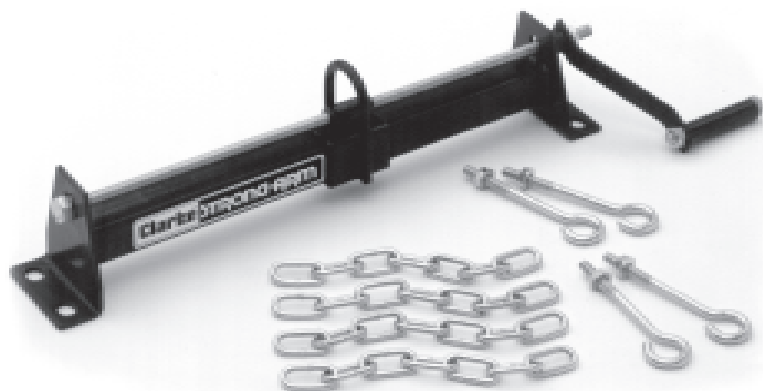


ClarkeTM STRONG-ARM

LOAD LEVELLER

Model No. CLL500

Part No. 7630115



OPERATING, MAINTENANCE
& SAFETY INSTRUCTIONS





Clarke[®] INTERNATIONAL

Hemnall Street, Epping, Essex CM16 4LG

DECLARATION OF CONFORMITY

This is an important document and should be retained.

We hereby declare that this product(s) complies with the following directive(s):

2006/42/EC Machinery Directive.

The following standards have been applied to the product(s):

EN ISO 12100:2010

The technical documentation required to demonstrate that the product(s) meet(s) the requirement(s) of the aforementioned directive(s) has been compiled and is available for inspection by the relevant enforcement authorities.

The CE mark was first applied in: 2018

Product Description:	Load Leveller
Model number(s):	CLL500
Serial / batch Number:	N/A
Date of Issue:	28/01/2020

Signed:

J.A. Clarke
Director

Thank you for purchasing this Clarke Load Leveller

Before attempting to assemble or operate the unit, please read this instruction booklet thoroughly, and follow all directions carefully, paying particular attention to the safety precautions. By doing so, you will ensure safe operation and enjoy trouble free service from your Clarke Load Leveller.

GUARANTEE

This CLARKE product is guaranteed against faulty manufacture for a period of 12 months from the date of purchase. Your receipt is required as proof of purchase.

This guarantee is invalid if the product is found to have been abused in any way, or not used for the purpose for which it was intended.

Faulty goods should be returned to their place of purchase, no product can be returned to us without prior permission.

This guarantee does not effect your statutory rights.

SAFETY PRECAUTIONS

IMPORTANT

Before using your Load Leveller, it is in your own interest to read and comply with the following safety rules.

- NEVER exceed the safe working load capacity which is 500kg.
- NEVER stand or work beneath a suspended load.
- Do not allow the load to swing or drop suddenly whilst moving or lowering.
- Use only slings or chains with a capacity equal to, or greater than that of the load leveller.
- If the load capacity decal becomes worn or illegible, contact Clarke International Spares Division for a replacement.
- Ensure the operator is skilled, and trained in both operation and safety aspects.
- Inspect the Load Leveller before use to ensure it is in good condition. Replace any damaged or worn parts.
- When replacing parts, only use those supplied by Clarke International as per the parts lists on page 6.

WARNING

*Failure to comply with these rules and precautions may result in loss of load, damage to, or failure of, the equipment, or even personal injury. Ensure that the Leveller is properly maintained and lubricated **AT ALL TIMES**, and that no rust or other forms of corrosion is allowed to weaken any part.*

PREPARATION FOR USE

1. Referring to the Parts List and Diagram, insert the large screw (2) through the hole at one end of the main body (1), threading it through the Sliding Block and out through the hole in the opposite end of the body.
2. Fit the Spacer (3) on to the end of the threaded screw, followed by the Crank Arm (4) and secure in place using the nut (5).
3. Attach the Handle (6) to the other end of the crank arm using the nut (8) and bolt (7).
4. Thread the Hooks (9) through the holes in the base of the main body, and ensure the washers (11) are in place before screwing on the nuts (10).

It is recommended that before use, you apply grease to the threaded screw and to the main member of the body, in order to allow the sliding block to move smoothly.

The chains (12) may be used to connect the Leveller to a lifting sling or directly to the lifting points. Ensure **ONLY** those lifting points recommended by the manufacturer are used. Consult the vehicle handbook.

OPERATION

Raising a Load Squarely.

With the leveller attached to the load via the recommended lifting points, and, if this is an engine, ensuring that all necessary components are disconnected, i.e. exhaust, speedo cable, electrical connections etc., very slowly take the weight. As the load begins to lift it may rise at one end only. Turn the crank handle of the Leveller so that the Sliding Block moves **AWAY** from that end.

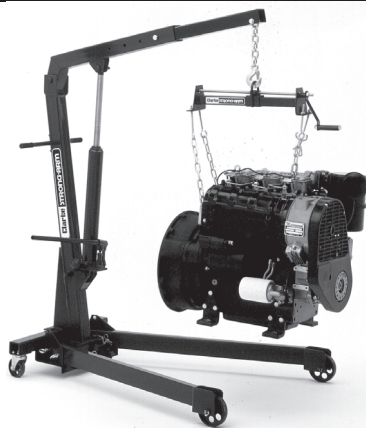
Continue to raise the load a little at a time whilst moving the sliding block away from the raised end until the load rises squarely.

If there is a degree of twist, this may be taken up by screwing the nuts (10), to lengthen or shorten the hooks as appropriate, but **ALWAYS** ensure that the **FULL** thickness of the nut (10) is in contact with the threaded end of the hook.

If this method is insufficient to compensate for the degree of twist or slew, you should adjust the chain length on one or more of the lifting points.

Raising a Load at an Angle

In some cases, it may be necessary to raise the load at an angle. In this instance, move the sliding block towards the end that needs to be higher. Gently raise the load, turning the crank handle as required to achieve the required degree of tilt.



MAINTENANCE

Before Use

Always inspect the Leveller before use for visible signs of damage, worn or missing parts.

NOTE:

If the Leveller is subjected to any abnormal load or shock, it should be removed from service immediately and inspected by a local service agent or Clarke International Service Division.

Periodically

- a) check the main beam for cracks and distortion.
- b) lubricate the Sliding Block and Screw with grease.
- c) inspect the chains and hooks for damage or distortion. If any is apparent...have them replaced.

SPECIFICATIONS

Lifting Capacity	500kg
Weight	5.5kg
Part No.	7630115

SPARE PARTS & SERVICING

Please contact your nearest dealer, or
CLARKE International, on one of the following numbers.

PARTS & SERVICE TEL: 020 8988 7400

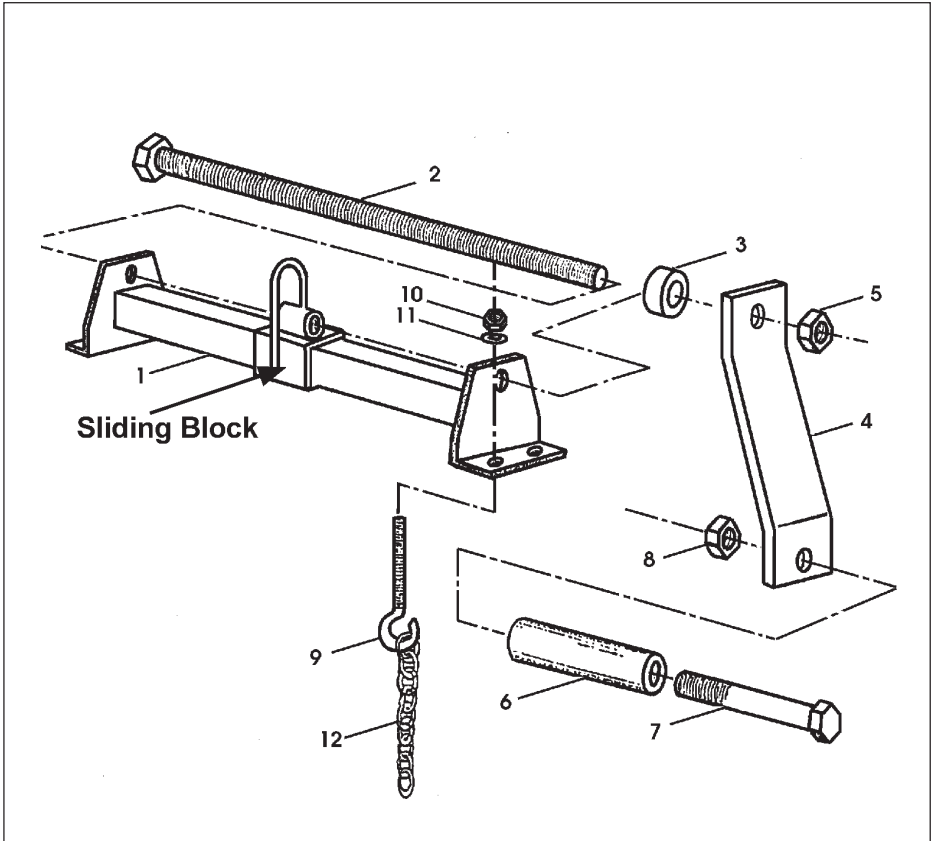
PARTS & SERVICE FAX: 020 8558 3622

or e-mail as follows:

PARTS: Parts@clarkeinternational.com

SERVICE: Service@clarkeinternational.com

PARTS LIST & DIAGRAM



No.	Description	Part No.
1	Main Body	SN50001
2	Screw	SN50002
3	Spacer	SN50003
4	Crank Handle	SN50004
5	Nut M12	SN50005
6	Handle	SN50006

No.	Description	Part No.
7	Bolt M12x115	SN50007
8	Nut M12	SN50008
9	Hook	SN50009
10	Nut M10	SN50010
11	Washer	SN50011
12	Chain	SN50012

Clarke[®]
INTERNATIONAL

A SELECTION FROM THE VAST RANGE OF

Clarke®

QUALITY PRODUCTS

AIR COMPRESSORS

From DIY to industrial, Plus air tools, spray guns and accessories.

GENERATORS

Prime duty or emergency standby for business, home and leisure.

POWER WASHERS

Hot and cold, electric and engine driven - we have what you need

WELDERS

Mig, Arc, Tig and Spot. From DIY to auto/industrial.

METALWORKING

Drills, grinders and saws for DIY and professional use.

WOODWORKING

Saws, sanders, lathes, mortisers and dust extraction.

HYDRAULICS

Cranes, body repair kits, transmission jacks for all types of workshop use.

WATER PUMPS

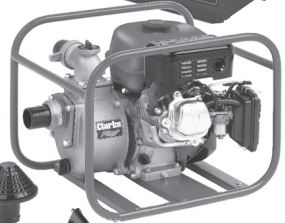
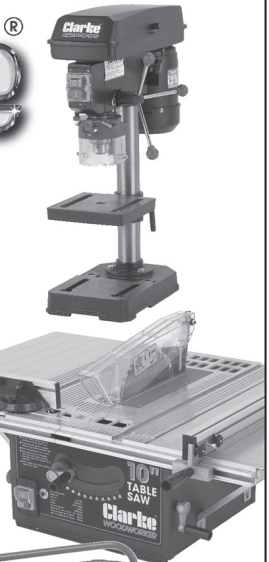
Submersible, electric and engine driven for DIY, agriculture and industry.

POWERTOOLS

Angle grinders, cordless drill sets, saws and sanders.

STARTERS/CHARGERS

All sizes for car and commercial use.



PARTS & SERVICE: 0208 988 7400

E-mail: Parts@clarkeinternational.com or Service@clarkeinternational.com

SALES: UK 01992 565333 or Export 00 44 (0)1992 565335

Clarke® INTERNATIONAL Hemnall Street, Epping, Essex CM16 4LG
www.clarkeinternational.com